

Lorenz Conveying Products

Valves & Gates
Accessories & Components

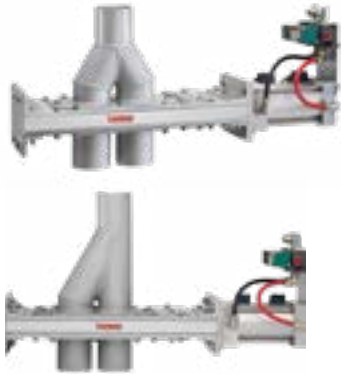


Lorenz
Conveying Products
www.lorenzproducts.com

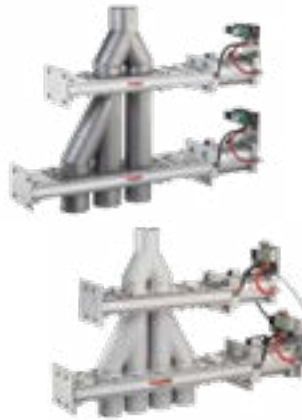
P.O. Box 1002
Cobourg, Ontario Canada K9A 4W4
Canada 1-800-263-1942
USA 1-800-263-7782
Tel. 905-372-2240 Fax 905-372-4456
sales@lorenz.ca

ISO 9001-2015 REGISTERED COMPANY

Valves & Gates



2 Way
Diverter Valves



3 & 4 Way
Diverter Valves



2 & 3 Way
Slideflex Diverter Valves



Slide Gates



2 & 3 Way
Sealed Gravity Diverters



Maintenance Gates



Roller Gates



Aggregate
Control Gate



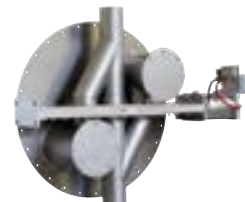
Discharge Valve



Gravity Dual
Control Gate



2 Way Aggregate
Diverter Valve



Bypass Load Diverter

Accessories & Components



Bolted Couplings



Tube & Pipe Bends



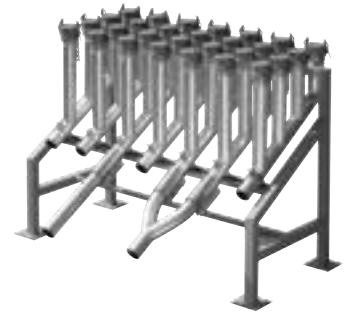
Clamps & Couplings



Pneumatic Fittings



Cyclones



Manifold Stations



Pick Up Wands



Iris Valves



Angel Hair Solutions



Easy Clean Gate



Probe Boxes & Air Flow Controls



Rail Car Adapters

Accessories & Components



Camlocks



Industrial Vacuum Fittings



Shutoffs



Replacement Back Elbows



Abrasion Solutions



Air Vacuum Breaker & Pressure Diverter

Customization



Represented by:



May 2020